

Stair Price List and Layouts



The Leading Manufacturer of Spiral Stair Kits®

Metal Spiral Stair Kits

- Standard Kit Features 1
- Standard Kit Layouts 1
- Code Kit Features 2
- Code Layouts 2
- Kit Pricing 3
- Accessory Pricing 3-5
- Floating Straight Stair Kit Pricing and Layout 5
- Pickup and Shipping Information 6

Oak Spiral Stair Kits

- Features 7
- Layouts 7
- Kit Pricing 7
- Accessory Pricing 8-9
- Straight Stair Kit Pricing 9
- Straight Stair Kit Accessory Pricing 9
- Pickup and Shipping Information 10

Victorian One® Spiral Stair Kits

- Features 11
- Layouts 11
- Kit Pricing 11
- Accessory Pricing 12
- Pickup and Shipping Information 13

- Warranty Information 14
- Exchange & Return Policy 14
- Location Maps Back Cover



Please call for more information or to place an order:
1-800-523-7427
 or visit our Web Site at www.TheIronShop.com

Main Plant & Showroom:

Pennsylvania
 P.O. Box 547
 400 Reed Road
 Broomall, PA 19008
 Tel: (610) 544-7100
 Fax: (610) 544-7297
 1-800-523-7427

Showroom / Warehouse Locations:

California
 P.O. Box 3008
 3949-D Guasti Road
 Ontario, CA 91761
 Tel: (909) 605-1000
 Fax: (909) 605-8899
 1-800-382-IRON (4766)

Florida
 Sarasota Business Center
 752 Commerce Dr., Ste. 1
 Venice, FL 34292
 Tel: (941) 484-7577
 Fax: (941) 484-7115
 1-800-648-6990

Texas
 8718 Westpark Drive
 Houston, TX 77063
 Tel: (713) 789-0648
 Fax: (713) 789-0720
 1-800-438-IRON (4766)

Illinois
 Regent O'Hare Business Ctr.
 886 Cambridge Drive
 Elk Grove Village, IL 60007
 Tel: (847) 952-9010
 Fax: (847) 952-0496
 1-800-453-IRON (4766)

Connecticut
 Stamford Executive Park
 500 West Avenue
 Stamford, CT 06902
 Tel: (203) 325-8466
 Fax: (203) 967-4677
 1-800-523-IRON (4766)

www.TheIronShop.com • e-mail: info@TheIronShop.com

All illustrations and specifications are based upon the latest product information available at the time of printing. The Iron Shop reserves the right to make changes at anytime without notice, in prices, specifications, materials, and models.

Metal Spiral Stair Kits

Please Note: Be sure to check your local code for any spiral stair requirements. See page 2 for Code Conforming Spiral information.

3'6" to 6'0" Standard Metal Spiral Stair Kits Contain:

Center pole, round base plate, appropriate number of 30° treads (22½° treads on the 5'0", 5'6", & 6'0" diameter Kits), one 90° landing, landing railing, one railing spindle per riser (plus starting spindle base plate), 1¼" round polyethylene tube handrail coil, vinyl center pole cap, all hardware required for assembly, installation manual, and installation video featuring "The Furniture Guys". Steel components primed black.

6'6" & 7'0" Diameter Standard Metal Spiral Stair Kits Contain:

Center pole, round base plate, appropriate number of 22½° treads with closed tread ends, one 90° landing, landing railing, one railing spindle per riser (plus starting spindle base plate), triple in-between spindles per tread, 1¼" round aluminum tube handrail coil, vinyl center pole cap, all hardware required for assembly, installation manual, and installation video featuring "The Furniture Guys". Steel components primed black.

Standard Metal Spiral Stair Kit Dimensions

Stair Diameter	Minimum Finished Well Opening	Clear Walk Space Between Pole and Rail	Square Landing Size
3'6"	3'8" x 3'8"	1'6"	1'10" x 1'10"
4'0"	4'2" x 4'2"	1'9"	2'1" x 2'1"
4'6"	4'8" x 4'8"	2'0"	2'4" x 2'4"
5'0"	5'2" x 5'2"	2'2⅝"	2'7" x 2'7"
5'6"	5'8" x 5'8"	2'5⅝"	2'10" x 2'10"
6'0"	6'2" x 6'2"	2'8⅝"	3'1" x 3'1"
6'6"	6'8" x 6'8"	2'11⅝"	3'4" x 3'4"
7'0"	7'2" x 7'2"	3'2⅝"	3'7" x 3'7"

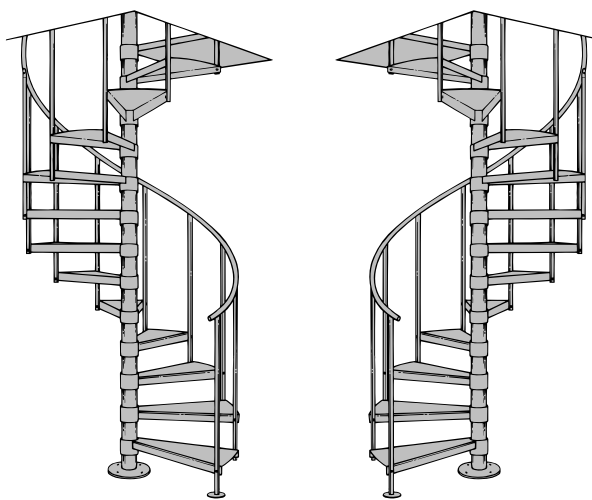
Stair Kits for Restricted Openings Dimensions

Stair Kit	Minimum Finished Well Opening	Clear Walk Space Between Pole and Rail
One-Half Turn	3'0" x 5'8"	2'5⅝"
Combination-4	3'0" x 6'0"	2'5⅝"
Combination-5	3'0" x 6'9"	2'5⅝"

Kits Can Be Assembled Right or Left Hand Up

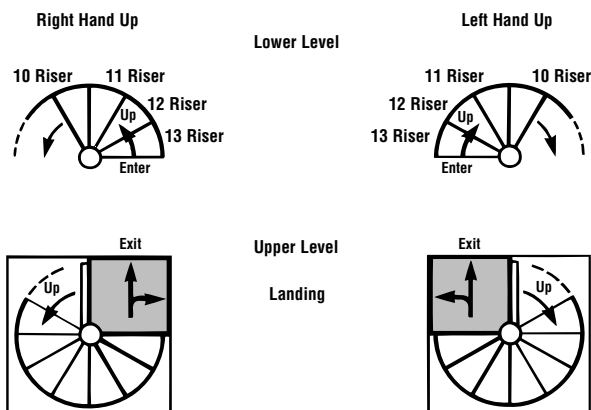
Right Hand Up
Handrail is to your right from lower level.

Left Hand Up
Handrail is to your left from lower level.



Layouts for 30° Tread Metal Spiral Stair Kits

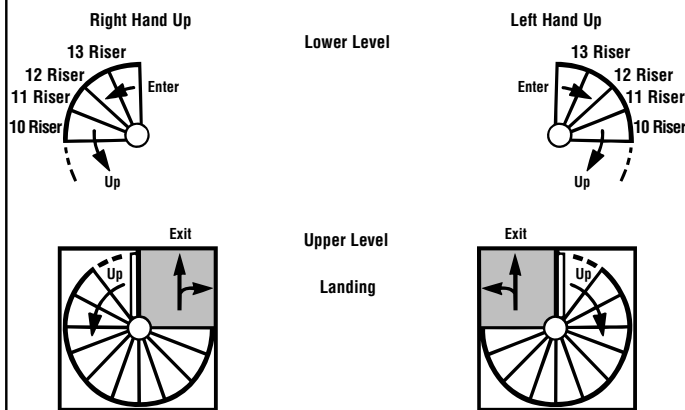
The 3'6", 4'0", & 4'6" diameter Standard Metal Spiral Stair Kits utilize 30° treads.



10 riser Kits contain 9 treads and 1 landing rotating 270°.
 11 riser Kits contain 10 treads and 1 landing rotating 300°.
 12 riser Kits contain 11 treads and 1 landing rotating 330°.
 13 riser Kits contain 12 treads and 1 landing rotating 360°.

Layouts for 22½° Tread Metal Spiral Stair Kits

The 5'0", 5'6", 6'0", 6'6", & 7'0" diameter Standard Metal Spiral Stair Kits utilize 22½° treads.



10 riser Kits contain 9 treads and 1 landing rotating 202½°.
 11 riser Kits contain 10 treads and 1 landing rotating 225°.
 12 riser Kits contain 11 treads and 1 landing rotating 247½°.
 13 riser Kits contain 12 treads and 1 landing rotating 270°.

Metal Code Conforming Spiral Stair Kits

Please Note: Be sure to check your local building codes for any special stair requirements. The Metal Code Spiral Stair Kits are designed to meet the International Residential Code (IRC 2003 & 2006) requirements. **(Attention California Residents:** L.A. Fabricator License #1150, L.A. City Standard Plan #111)

Code Conforming Metal Spiral Stair Kits Contain:

Center pole, round base plate, appropriate number of 30° treads (closed tread ends on 5'6" & 6'0" diameter Kits), one 90° landing, landing railing, one railing spindle per riser (plus starting spindle base plate), triple in-between spindles per tread, 1/4" round aluminum tube handrail coil (1/2" round aluminum tube handrail coil), vinyl center pole cap, all hardware required for assembly, installation manual, and installation video featuring "The Furniture Guys". Steel components primed black.

Layouts for Code Conforming Metal Spiral Stair Kits

The 5'0", 5'6", & 6'0" diameter Code Conforming Metal Spiral Stair Kits utilize 30° treads.

Stair Diameter	Minimum Finished Well Opening	Clear Walk Space Between Pole and Rail	Square Landing Size
5'0"	5'2" x 5'2"	2'2 ³ / ₈ "	2'7" x 2'7"
5'6"	5'8" x 5'8"	2'5 ³ / ₈ "	2'10" x 2'10"
6'0"	6'2" x 6'2"	2'8 ¹ / ₈ "	3'1" x 3'1"

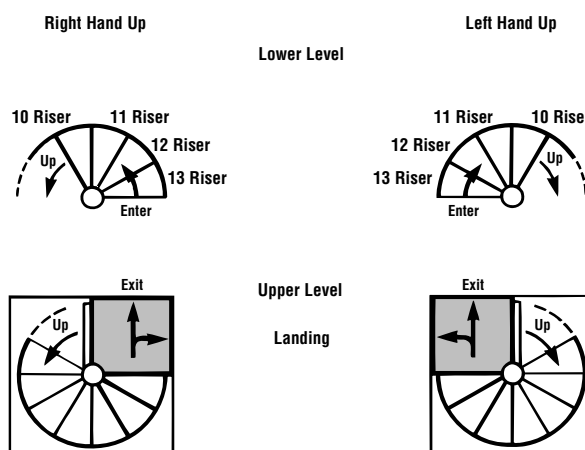
Code Conforming Kits can be ordered with a 90° square landing (see diagram at right) for the following floor-to-floor heights:

10 Riser Kit	7'5" to 7'11"
11 Riser Kit	8'0" to 8'8 ¹ / ₂ "
12 Riser Kit	8'9" to 9'6"
13 Riser Kit	9'6 ¹ / ₂ " to 10'3 ¹ / ₂ "

Or you can order a Code Conforming Kit with a 60° landing (see diagrams below) for the following floor-to-floor heights:

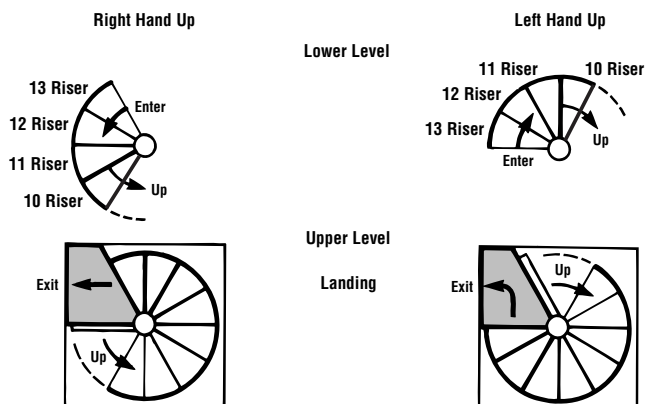
10 Riser Kit	6'8" to 7'5"
11 Riser Kit	7'4" to 8'1"
12 Riser Kit	8'0" to 8'9 ¹ / ₂ "
13 Riser Kit	8'8" to 9'6 ¹ / ₂ "

Layout for 90° Square Landing



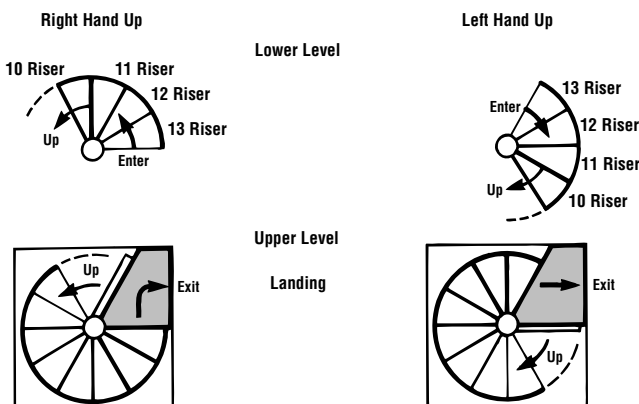
10 riser Kits contain 9 treads and 1 landing rotating 270°.
 11 riser Kits contain 10 treads and 1 landing rotating 300°.
 12 riser Kits contain 11 treads and 1 landing rotating 330°.
 13 riser Kits contain 12 treads and 1 landing rotating 360°.

Layout for 60° #1 Landing



10 riser Kits contain 9 treads and 1 landing rotating 270°.
 11 riser Kits contain 10 treads and 1 landing rotating 300°.
 12 riser Kits contain 11 treads and 1 landing rotating 330°.
 13 riser Kits contain 12 treads and 1 landing rotating 360°.

Layout for 60° #2 Landing



10 riser Kits contain 9 treads and 1 landing rotating 270°.
 11 riser Kits contain 10 treads and 1 landing rotating 300°.
 12 riser Kits contain 11 treads and 1 landing rotating 330°.
 13 riser Kits contain 12 treads and 1 landing rotating 360°.

Kits with less than 10 risers or more than 13 risers to span floor-to-floor heights other than shown above are available, as well as multi-story spirals, custom diameter spirals, and custom layout spirals—all available in steel or aluminum. Please call the location nearest you for more information or a price quotation. We will be happy to help. See the front or back cover for location numbers.

Metal Spiral Stair Kit Pricing

Prices shown are for orders picked up at our Main Plant in Broomall, PA, sales tax will be added. Orders shipped from PA will have a shipping & handling charge plus sales tax if applicable. Pickups at our Warehouse locations will have a destination charge added, plus location's state sales tax, orders shipped will have a shipping & handling charge, a destination charge, and sales tax if applicable. See page 6 for more information.

Standard Metal Spiral Stair Kits and Stair Kits for Restricted Openings

Kit Diameter	Minimum Finished Well Opening	Standard Floor-to-Floor Heights			
		10 Risers (7'2" to 7'11")	11 Risers (8'0" to 8'8½")	12 Risers (8'9" to 9'6")	13 Risers (9'6½" to 10'3½")
3'6" Standard	3'8" x 3'8"	\$565	\$655	\$745	\$835
4'0" Standard	4'2" x 4'2"	\$755	\$850	\$945	\$1040
4'6" Standard	4'8" x 4'8"	\$890	\$990	\$1090	\$1190
5'0" Standard	5'2" x 5'2"	\$1010	\$1115	\$1220	\$1325
5'6" Standard	5'8" x 5'8"	\$1160	\$1270	\$1380	\$1490
6'0" Standard	6'2" x 6'2"	\$1305	\$1420	\$1535	\$1650
6'6" Standard**	6'8" x 6'8"	\$2500	\$2725	\$2950	\$3175
7'0" Standard**	7'2" x 7'2"	\$2700	\$2945	\$3190	\$3435
One-Half Turn	3'0" x 5'8"	\$1050	\$1160	\$1270	\$1380
Combination-4	3'0" x 6'0"	\$1250 (6'8" to 7'5")	\$1360 (7'6" to 8'0")	\$1470 (8'1" to 8'8")	\$1580 (8'9" to 9'5")
Combination-5	3'0" x 6'9"	\$1250 (6'8" to 7'5")	\$1360 (7'6" to 8'0")	\$1470 (8'1" to 8'8")	\$1580 (8'9" to 9'5")

*Special nationally advertised price of \$495 for a 3'6" 9 Riser (6'7" to 7'1¼") Standard Diameter Metal Spiral Stair Kit expires 12/31/08. **The 6'6" & 7'0" Standard Kits include an aluminum handrail, triple in-between spindles per tread, closed tread ends, and a heavy-duty center pole. Kits to fit floor-to-floor heights lower or higher than shown above are also available.

Code Conforming Metal Spiral Stair Kits

Kit Diameter	Minimum Finished Well Opening	Standard Floor-to-Floor Heights			
		10 Risers (7'5" to 7'11") 90° Landing (6'8" to 7'5") 60° Landing	11 Risers (8'0" to 8'8½") 90° Landing (7'4" to 8'1") 60° Landing	12 Risers (8'9" to 9'6") 90° Landing (8'0" to 8'9½") 60° Landing	13 Risers (9'6½" to 10'3½") 90° Landing (8'8" to 9'6½") 60° Landing
5'0" Code	5'2" x 5'2"	\$1475	\$1625	\$1775	\$1925
5'6" Code*	5'8" x 5'8"	\$1850	\$2025	\$2200	\$2375
6'0" Code**	6'2" x 6'2"	\$1930	\$2110	\$2290	\$2470

Specific Code Requirement Upgrades (if required):

- Scroll Safety Return Ends for top and bottom of railing, \$100.
- Riser Reduction Bars, \$10 each.
- Upgrade to 1½" aluminum tube handrail, \$50.

*The 5'6" Code Conforming Metal Spiral Stair Kits include closed tread ends. **The 6'0" Code Conforming Metal Spiral Stair Kits include closed tread ends and a heavy-duty center pole.

Note: The Code Kit Stairs above are designed to meet most national building codes. Please check with your local code administrator for your specific requirements.

Code Kits include triple in-between spindles per tread and an 1¼" aluminum tube handrail to meet the International Residential Code (IRC 2003 & 2006) requirements.

California Residents: L.A. City Fabricator License #1150, L.A. City Standard Plan #111.

Special Orders

Stairs for multi-story, custom diameters, and custom layouts are all available in steel or aluminum. Please call the location nearest you for more information or a price quotation. We will be happy to help. See the front or back cover for location numbers.

Metal Spiral Stair Kit Accessory Pricing

Spindle Options

- A. In-Between Spindles (Each) \$20
- In-Between Spindles—Galvanized (Each) \$30
- B. Aluminum Center Collar Castings (Each) \$12
- Brass Center Collar Castings (Each) \$26
- C. Small Scroll Castings (Each) \$14
- D. Large Scroll Castings (Each) \$20
- E. Double Scroll Castings (Each) \$22
- F. Fleur-de-lis Castings (Each) \$16
- G. Double Fleur-de-lis Castings (Each) \$32
- H. Butterfly Castings (Each) \$24
- I. Basket Design Spindles (Each) \$46
- J. Wrought Iron Scroll Fillers (Each) \$25

Handrail Options

- A. 1¼" Round Aluminum Tube Handrail
Supplied coiled in a mill finish, 17'6" length. \$275
- 1½" Round Aluminum Tube Handrail
Supplied coiled in a mill finish, 21'0" length. \$350
- 1¼" Round Brass Tube Handrail
Supplied coiled in a mill finish, 17'6" length. \$375

1½" Round Brass Tube Handrail

Supplied coiled in a mill finish, 21'0" length. \$475

1½" Round Preformed Brass Tube Handrail

Custom formed in two sections with internal connecting sleeve to fit stair. Supplied in a high polished finish with polished brass scroll handrail ends. \$1375

1½" Round Preformed Steel Tube Handrail

Custom formed in two or three sections to fit stair. \$675

- B. Aluminum or Brass End Caps (Set of Two) \$30
- Small Brass Scroll Ends for 1¼" Handrail ... (Set of Two) \$70
- Large Aluminum Scroll Handrail Ends (Set of Two) \$100
- Large Brass Scroll Handrail Ends (Set of Two) \$350
- C. Oak Handrail Kit (No longer available) NA
- D. Solid Oak Handrail (Design V)
Custom formed 1¼" tall x 2¼" wide rail to fit stair's diameter, height, and rotation—includes straight section for landing railing.

- 3'6", 4'0", & 4'6" Standard Kits \$995
- 5'0", 5'6", & 6'0" Standard Kits \$1075
- 5'0", 5'6", & 6'0" Code Kits \$1125
- 6'6" & 7'0" Standard Kits \$1195
- E. Finger Groove Upgrade for Oak Handrails \$275
- F. 1½" O.D. Round Oak Handrail ... (upgrade from Design V) \$275

Metal Spiral Stair Kit Accessory Pricing

Aluminum Spiral Stair Kits (Add to Cost of Kit)

3'6" to 6'0" Standard Kits	\$1100
6'6" & 7'0" Standard Kits	\$1350
5'0" to 6'0" Code Kits	\$1350

All Welded Spiral Stairs (Add to Cost of Kit)

Steel—All Diameters	\$1150
Aluminum—3'6" to 6'0" Standard Kits	\$1775
Aluminum—6'6" & 7'0" Standard Kits	\$2400
Aluminum—5'0" to 6'0" Code Kits	\$2400

Custom Welded Spiral Stairs (See Pages 15-18 of Catalog)

Built to order. call for more information and quote

Sandblast and Powder Coated Finish—Standard Stocked Colors

Stairs with Smooth or Diamond Plate Treads	\$1250
Stairs with Bar Grated Treads	\$1700

Sandblast and Powder Coated Finish—Custom Colors

Stairs with Smooth or Diamond Plate Treads	\$1600
Stairs with Bar Grated Treads	\$2000

Hot Dipped Galvanized Finish—Smooth Plate Treads & Landing

Rust resistant zinc coating for exterior use. (Add to Cost of Kit)

Kit	10 Risers	11 Risers	12 Risers	13 Risers
3'6" to 4'6" Std	\$605	\$660	\$715	\$770
5'0" to 6'0" Std	\$660	\$720	\$780	\$840
6'6" & 7'0" Std	\$715	\$780	\$845	\$910
One-Half Turn	\$660	\$720	\$780	\$840
Combination-4	\$660	\$720	\$780	\$840
Combination-5	\$660	\$720	\$780	\$840
5'0" to 6'0" Code	\$715	\$780	\$845	\$910

Hot Dipped Galvanized Finish—Diamond Plate Treads & Landing

Includes upgrade to diamond plate. (Add to Cost of Kit)

Kit	10 Risers	11 Risers	12 Risers	13 Risers
3'6" to 4'6" Std	\$825	\$900	\$975	\$1050
5'0" to 6'0" Std	\$880	\$960	\$1040	\$1120
6'6" & 7'0" Std	\$990	\$1080	\$1170	\$1260
One-Half Turn	\$880	\$960	\$1040	\$1120
Combination-4	\$880	\$960	\$1040	\$1120
Combination-5	\$880	\$960	\$1040	\$1120
5'0" to 6'0" Code	\$990	\$1080	\$1170	\$1260

Metal Floating Straight Stair Kit Pricing and Layout Information

Prices shown are for orders picked up at our Main Plant in Broomall, PA, sales tax will be added. Orders shipped from PA will have a shipping & handling charge plus sales tax if applicable. Pickups at our Warehouse locations will have a destination charge added, plus location's state sales tax, orders shipped will have a shipping & handling charge, a destination charge, and sales tax if applicable. See page 6 for more information.

Standard* and Alternative

Tread Design Kits Series 42 or 45	Minimum Well Opening	12 Risers (7'6" to 8'4")	13 Risers (8'5" to 9'0")	14 Risers (9'1" to 9'8")
	8'8" (Series 42), 7'9" (Series 45)	\$975	\$1125	\$1275

Please Note: The Metal Straight Stair Kit can be ordered as a Series 42 or 45 with the standard or alternate design treads, and include the center beam, tread supports, header plate, and floor plate.

*The Standard Metal Floating Straight Stair Kit must be installed with finished treads which can be ordered as an option, or you can cut your own.

**The Alternate Tread Design Kit requires a spindle kit and handrail on at least one side of the stair.

Spindle Kits (One Side)

Type	12 Risers	13 Risers	14 Risers
R-1 Spindles	\$264	\$288	\$312
R-2 Spindles	\$396	\$432	\$468
R-3 Spindles	\$484	\$528	\$572

Please Note: Two spindle kits are required if the stair will be open on both sides.

Treads

Type	12 Risers	13 Risers	14 Risers
1" Plywood	\$363	\$396	\$429
1" Oak	\$550	\$600	\$650
Diamond Plate Steel Upgrade	\$385	\$420	\$455

Handrail (One Side)

Type	12 Risers	13 Risers	14 Risers
Steel	\$165	\$180	\$195
Oak	\$275	\$300	\$325

Please Note: Two handrails are required if the stair will be open on both sides.

Custom Welded Units

Shipped as one piece. call for more information and quote

Metal Floating Straight Stair Kit Measurements

Metal Floating Straight Stair Kits are available in two different center beam angles, to meet varying space requirements. The Series 42 is based on an 8" riser and 9" tread with a 42° angle for the center beam. The Series 45 is based on an 8" riser and 8" tread with a 45° angle for the center beam. To determine the best Series for your needs, simply follow these instructions:

Step 1
Measure your finished floor-to-floor height ("A" on diagram), the distance your stair can project ("B" on diagram) and the length of your well opening ("C" on diagram).

Step 2
Find your floor-to-floor height on the chart and determine which of the two Series will fit best in your space (in terms of both projection and well opening).

Example
If your floor-to-floor height is 8'4" and your stair space is limited, you should chose the Series 45 which has a projection of only 7'11" versus 8'9" for the Series 42.

"C" Minimum Well Opening
8'8" (Series 42), 7'9" (Series 45)

6'6" Minimum Headroom

"A" Finished Floor-to-Floor Height

"B" Overall Projection of Floating Stair

Floor-to-Floor Height	Risers	Series 42	Series 45
7'6"	12	7'10"	7'1"
7'7"	12	7'11½"	7'2"
7'8"	12	8'0¼"	7'3"
7'9"	12	8'1½"	7'4"
7'10"	12	8'2½"	7'5"
7'11"	12	8'3¾"	7'6"
8'0"	12	8'4¾"	7'7"
8'1"	12	8'5¾"	7'8"
8'2"	12	8'7"	7'9"
8'3"	12	8'8¼"	7'10"
8'4"	12	8'9¾"	7'11"
8'5"	13	8'10¾"	8'0"
8'6"	13	8'11¾"	8'1"
8'7"	13	9'0¾"	8'2"
8'8"	13	9'1¾"	8'3"
8'9"	13	9'2¾"	8'4"
8'10"	13	9'4"	8'5"
8'11"	13	9'5¼"	8'6"
9'0"	13	9'6¾"	8'7"
9'1"	14	9'7¾"	8'8"
9'2"	14	9'8¾"	8'9"
9'3"	14	9'9¾"	8'10"
9'4"	14	9'10¾"	8'11"
9'5"	14	9'11¾"	9'0"
9'6"	14	10'1"	9'1"
9'7"	14	10'2¼"	9'2"
9'8"	14	10'3¼"	9'3"

Metal Spiral Stair Kit Pickup and Shipping Information

Pickup Information

Pickup at our Main Plant & Showroom in Broomall, PA

All prices as listed, plus Pennsylvania sales tax.

Pickup at one of our Showroom / Warehouse Locations

All prices as listed, plus a destination charge and the pickup location's state sales tax, plus any other applicable taxes. The destination charge covers shipping to each Showroom / Warehouse location and is calculated as a set percentage of the order price before tax is applied. The destination charge for each of our Warehouse locations are as follows: Ontario, CA 8%; Venice, FL 6%; Houston, TX 7%; Elk Grove Village, IL 6%; Stamford, CT 6%.

Pickup Hours (All Locations)	Mon. - Fri.	8:00 a.m. to 11:30 a.m.
		12:30 p.m. to 4:30 p.m.
	Saturday	8:00 a.m. to 11:30 a.m.

Pickup Payments

Payment for pickup orders may be made by Certified Check, Bank Check, VISA, MasterCard, AMEX, Discover, or Cash. *Sorry, personal and/or business checks cannot be accepted for pickup orders.*

Shipping Information

All Stair Kits are shipped via common carrier trucking. Some accessories can be shipped by UPS. Your order will be shipped from either The Iron Shop's Main Plant in Broomall, PA, or from one of our Warehouse locations.

Shipment from our Main Plant & Showroom in Broomall, PA

Prices as listed, plus a shipping & handling charge (based on the total weight, distance, single shipment, notifying call, residential or commercial delivery, fuel surcharges, and other factors) and any applicable sales tax.

Shipment from one of our Showroom / Warehouse Locations

Prices as listed, plus a destination charge (see above Pickup Information) to the shipping Warehouse location, a shipping & handling charge (based on the total weight, distance, single shipment, notifying call, residential or commercial delivery, fuel surcharges, and other factors) from the Warehouse to delivery location, and any applicable sales tax.

Please Note: Although two shipping charges are involved for shipments from our Warehouse locations, this method results in savings for orders going to points that are distant from Broomall, PA, but are within a few hundred miles of one of our Warehouses. The reason is that the destination charge to the Warehouse is based upon bulk shipments from Broomall, PA.

Shipping Acknowledgment

You will be sent an acknowledgment of your order, with all shipping information, shortly after we confirm or receive payment. The delivering trucking company will call you once the stair has arrived at their terminal so that they may arrange a time of delivery with you. If you do not receive our acknowledgment within two weeks of placing your order and payment, please call The Iron Shop's location where you placed your order.

Residential Tailgate Delivery

All of The Iron Shop's stairs are shipped by common carrier for residential tailgate delivery. This method of shipment requires the trucker to deliver the stair to the end of their truck at your location. The trucker is not required to unload the stair or bring it into your home—this is the customer's responsibility. In most cases the driver will help unload the stair but you need to be prepared for the delivery, which will involve carrying the pieces off the truck and into your home. *If you would like the stair lowered off the truck for you, or delivered into your home, please see our Optional Shipping / Handling Services section on this page for more information.*

Re-Delivery Charge

If no one is home the first time a pre-arranged attempt is made to deliver your order, and the trucker has to make a re-delivery, you may be asked to pay a re-delivery charge.

Storage Charges

If you do not make arrangements with the trucking company to get your order delivered within a week after receiving notice from them that the order is at their terminal, they may charge you for storage. You can easily avoid this by simply responding to their notice in a timely manner.

Customer Responsibilities at Time of Delivery

It is the responsibility of the customer or their agent to check the shipment before the truck driver leaves. *Any shortage or damage must be noted on the delivery receipt, countersigned and dated by the driver.* This is required for your claim to be honored. Concealed damage and missing items must be reported to the trucking company and The Iron Shop (*or just The Iron Shop if you have our optional insurance coverage described below*) within 48 hours of delivery. Claims cannot be honored after the 48 hour period.

Optional Shipping / Handling Services

Rush Handling

This special expediting service is available for all items that are in **stock**. Orders received by 12:00 p.m. will be ready for pickup by common carrier by 3:00 p.m., the next business day. In addition, for fastest delivery, we will try to route the shipment as directly as possible. The charge for this Rush Handling service is \$125.

Shipping Insurance

Under standard common carrier practice, if your shipment is damaged or lost in transit, you will be responsible for making a claim against the trucking company, collecting your loss and re-ordering the parts from us. This can be a time-consuming and involved process. Our optional, low-cost shipping insurance is designed to protect your interests and streamline the solving of any loss or damage problem. When your shipment arrives you must follow the requirements covered above in *Customer Responsibilities at Time of Delivery* and then notify The Iron Shop of any loss or damage within 48 hours. We will reship to you any damaged or lost parts, that are in stock, within 72 hours after receipt of written proof of loss (or as quickly as possible for parts not in stock). There will be no charge to you for reshipping and damaged parts will be picked up by the carrier at time of delivery of replacement parts.

If Your Total Order Is:	Your Insurance Cost Is:
Up to \$500	\$25
\$501 to \$1000	\$30
\$1001 to \$1500	\$35
\$1501 to \$2000	\$40
\$2001 to \$2500	\$45

If your order exceeds \$2500, add \$5 for each additional \$500.

Liftgate Service (Not available in all areas.)

This optional, extra charge, shipping service will require the delivering truck to have a mechanical tailgate to lower your shipment to the ground. **Please Note:** *It is not the trucker's responsibility to carry the stair into your home or garage. If you are interested in an inside delivery please see the following option.*

Please Call for Pricing and Availability

Inside Delivery Service (Not available in all areas.)

By far the easiest method of receiving your stair from The Iron Shop is by adding the inside delivery service. This optional, extra charge, shipping service requires the delivering trucking company to carry the stair into your home or garage. **Please Note:** *Delivery into a multi-story location will add an additional charge.*

Please Call for Pricing and Availability

Showroom Hours

All Showroom Locations	Mon. - Fri.	8:00 a.m. to 5:00 p.m.
	Saturday	8:00 a.m. to 12:00 p.m.

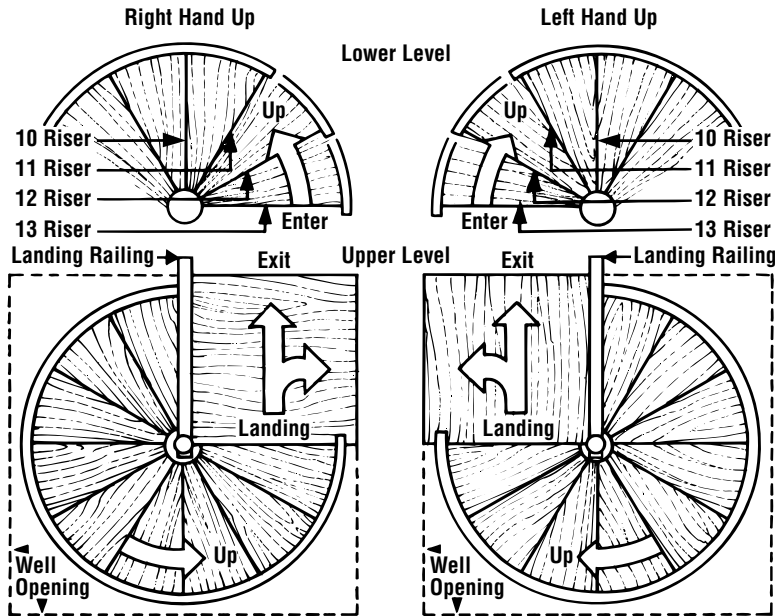
Oak Spiral Stair Kits

Oak Spiral Stair Kits Contain:

Metal base plate, oak base trim plate, 1/2" round steel threaded center rods, wood support blocks, appropriate number of 30° oak tread modules, oak landing, one oak railing spindle per riser, oak handrail kit on 4'0" kit handrail model, solid oak handrail on standard 4'0" to 6'0" diameter models, landing railing & center post, lock washers & nuts, all hardware required for assembly, installation manual, and installation video featuring "The Furniture Guys" All oak components are supplied in a mill finish, the stair must be "sealed" with an appropriate coating after installation.

Layouts for Oak Spiral Stair Kits

All Oak Spiral Stair Kits utilize 30° treads.



Minimum Finished Well Opening Requirements

Carefully check your planned location to make certain you can provide at least the minimum well opening dimensions required for the stair you are ordering.

Stair Diameter	Minimum Finished Well Opening	Clear Walk Space Between Pole and Rail	Square Landing Size
4'0"	4'2" x 4'2"	1'7½"	2'1" x 2'1"
4'6"	4'8" x 4'8"	1'10½"	2'4" x 2'4"
5'0"	5'2" x 5'2"	2'1½"	2'7" x 2'7"
5'5"	5'8" x 5'8"	2'3¾"	2'10" x 2'10"
6'0"	6'2" x 6'2"	2'6¾"	3'1" x 3'1"

Please Note: Your Kit will be custom cut to fit your floor-to-floor height. It is therefore extremely important that you supply us with the exact finished floor to finished floor height. We also must know whether your stair will be installed "right hand up" (handrail is to your right as you enter stair from lower level) or "left hand up" (handrail is to your left as you enter stair from lower level) as the Kit is not reversible.

Kits with less than 10 risers or more than 13 risers to span floor-to-floor heights other than shown below are available, as well as multi-story Kits. Please call the location nearest you for more information or a price quotation. We will be happy to help. See the front or back cover for location numbers.

Oak Spiral Stair Kit Pricing

Prices shown are for orders picked up at our Main Plant in Broomall, PA, sales tax will be added. Orders shipped from PA will have a shipping & handling charge plus sales tax if applicable. See page 10 for more information. **Please Note:** Your Kit will be custom cut to fit your floor-to-floor height and rotation. It is therefore extremely important that when you order we get the exact specifications for your installation.

Oak Spiral Stair Kits with Solid Oak Handrail (Design V)

Kit Diameter	Minimum Finished Well Opening	Standard Floor-to-Floor Heights			
		10 Risers (7'4" to 7'11")	11 Risers (8'0" to 8'8½")	12 Risers (8'9" to 9'6")	13 Risers (9'6½" to 10'3½")
4'0"	4'2" x 4'2"	\$2850*	\$3100	\$3350	\$3600
4'6"	4'8" x 4'8"	\$3100	\$3360	\$3620	\$3880
5'0"	5'2" x 5'2"	\$3475	\$3750	\$4025	\$4300
5'5" (2-IBS/Tread) ^{††}	5'8" x 5'8"	\$4500	\$4875	\$5250	\$5625
5'5" (3-IBS/Tread) ^{††}	5'8" x 5'8"	\$4680	\$5075	\$5470	\$5865
6'0" (2-IBS/Tread) ^{††}	6'2" x 6'2"	\$5500	\$5925	\$6350	\$6775
6'0" (3-IBS/Tread) ^{††}	6'2" x 6'2"	\$5680	\$6125	\$6570	\$7015

*Special nationally advertised price, expires 12/31/08.

^{††}5'5" Oak Spiral Stair Kits and 6'0" Oak Spiral Stair Kits that include double in-between spindles or triple in-between spindles are compliant with the International Residential Code (IRC 2003 & 2006) requirements. These Stairs are designed to meet most national building codes. Please check with your local code administrator for your specific requirements.

California Residents: L.A. City Fabricator License #1150, L.A. City Standard Plan #125.

Oak Spiral Stair Kit Accessory Pricing

Colonial, Traditional, or European Design Turned Spindles

Turned spindles to replace the Standard railing spindles supplied with the Oak Kit, in your choice of Colonial, Traditional, or European designs. Includes turned spindles to replace the in-between spindles on the 5'5" & 6'0" diameter Oak Spiral Stair Kits. *See page 26 of our catalog for illustrations of turned designs.*

	10 Risers	11 Risers	12 Risers	13 Risers
4'0", 4'6", & 5'0" Diameter Kits	\$130	\$143	\$156	\$169
5'5" & 6'0" Diameter Kits (Includes Double In-Between Spindles)	\$364	\$403	\$442	\$481
5'5" & 6'0" Diameter Kits (Includes Triple In-Between Spindles)	\$481	\$533	\$585	\$637



In-Between Spindles

In-between spindles are offered in our Standard design as well as Colonial, Traditional, or European turned designs and are recommended for homes with small children, pets, or to meet code requirements. Double or triple in-between spindles are included with the 5'5" & 6'0" diameter Oak Spiral Stair Kits. *See page 26 of our catalog for illustrations of our spindle designs.*

4'0", 4'6", & 5'0" Diameter Kits	10 Risers	11 Risers	12 Risers	13 Risers
Standard Design Single In-Between Spindles	\$180	\$200	\$220	\$240
Standard Design Double In-Between Spindles	\$360	\$400	\$440	\$480
Turned Design Single In-Between Spindles	\$315	\$350	\$385	\$420
Turned Design Double In-Between Spindles	\$630	\$700	\$770	\$840

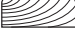


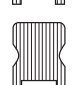
Finger Groove for Solid Oak Handrail

The solid oak handrail included on the 4'0" to 6'0" standard oak spiral stair kits can be upgraded with the addition of a decorative "finger grip" on each side of the handrail, and can be ordered with either a rounded (Design A) or a flat (Design B) railing top. *See page 26 of our catalog for an illustration of our finger groove designs.*

Design A / Design B		10 Risers	11 Risers	12 Risers	13 Risers
Design A  Rounded Top	4'0" Diameter Kits	\$350 / \$250	\$350 / \$250	\$350 / \$250	\$350 / \$250
	4'6" Diameter Kits	\$350 / \$250	\$350 / \$250	\$350 / \$250	\$350 / \$250
Design B  Flat Top	5'0" Diameter Kits	\$350 / \$250	\$350 / \$250	\$350 / \$250	\$375 / \$275
	5'6" Diameter Kits	\$350 / \$250	\$350 / \$250	\$375 / \$275	\$375 / \$275
	6'0" Diameter Kits	\$375 / \$275	\$375 / \$275	\$375 / \$275	\$400 / \$300

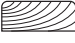
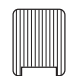

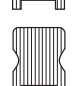
Scroll Ends for Solid Oak Handrail come as set of two scroll ends, one for each end of the handrail. \$150

Landing Railing includes top handrail, spindles spaced at less than 4", and 1½" wide x 1" high bottom rail.

Design	Handrail	Spindles	4'0"	4'6"	5'0"	5'5"	6'0"
Design H  Horizontal (2½" x 1")	Design H	1" x 1" Square	Included	Included	Included	Included	Included
Design V  Vertical (1½" x 2½")	Design H	1¼" x 1¼" Square	\$13	\$13	\$16	\$18	\$20
	Design H	1¼" x 1¼" Turned*	\$122	\$122	\$136	\$150	\$164
Design A  Rounded Top	Design V	1¼" x 1¼" Square	\$60	\$60	\$75	\$80	\$85
	Design V	1¼" x 1¼" Turned*	\$165	\$165	\$175	\$195	\$220
Design B  Flat Top	Design A	1¼" x 1¼" Square	\$80	\$80	\$95	\$105	\$115
	Design A	1¼" x 1¼" Turned*	\$185	\$185	\$210	\$230	\$250
	Design B	1¼" x 1¼" Square	\$75	\$75	\$90	\$100	\$110
	Design B	1¼" x 1¼" Turned*	\$180	\$180	\$205	\$225	\$245

*Choice of Colonial, Traditional, or European design post, spindles, and finial. A ball top finial is also available.

Balcony Landing Railing includes top handrail, spindles spaced at less than 4", 1½" wide x 1" high bottom rail, and post assembly.

Design	Handrail	Spindles	4'0"	4'6"	5'0"	5'5"	6'0"
Design H  Horizontal (2½" x 1")	Design H	1" x 1" Square	\$205	\$220	\$235	\$250	\$265
Design V  Vertical (1½" x 2½")	Design H	1¼" x 1¼" Square	\$215	\$230	\$245	\$260	\$275
	Design H	1¼" x 1¼" Turned*	\$315	\$335	\$355	\$375	\$395
Design A  Rounded Top	Design V	1¼" x 1¼" Square	\$250	\$270	\$290	\$310	\$330
	Design V	1¼" x 1¼" Turned*	\$345	\$370	\$395	\$420	\$445
Design B  Flat Top	Design A	1¼" x 1¼" Square	\$270	\$295	\$320	\$345	\$370
	Design A	1¼" x 1¼" Turned*	\$370	\$400	\$430	\$460	\$490
	Design B	1¼" x 1¼" Square	\$265	\$290	\$315	\$340	\$365
	Design B	1¼" x 1¼" Turned*	\$365	\$395	\$425	\$455	\$485

*Choice of Colonial, Traditional, or European design post, spindles, and finial. A ball top finial is also available.

Oak Spiral Stair Kit Accessory Pricing

Top Landing Gate includes brass hardware. *Recommended for homes with small children or pets.*

Design	Spindle Type	Handrail	Spindles	4'0"	4'6"	5'0"	5'5"	6'0"
Design H	Horizontal (2½" x 1")	Design H	1" x 1" Square	\$205	\$220	\$235	\$250	\$265
			1¼" x 1¼" Square	\$210	\$230	\$250	\$270	\$290
Design V	Vertical (1½" x 2¼")	Design H	1¼" x 1¼" Turned*	\$250	\$275	\$300	\$325	\$350
			Design V	1¼" x 1¼" Square	\$240	\$260	\$280	\$300
Design A	Rounded Top	Design V	1¼" x 1¼" Turned*	\$275	\$300	\$325	\$350	\$375
			Design A	1¼" x 1¼" Square	\$260	\$285	\$310	\$335
Design B	Flat Top	Design A	1¼" x 1¼" Turned*	\$290	\$320	\$350	\$380	\$410
			Design B	1¼" x 1¼" Square	\$255	\$280	\$305	\$330
		Design B	1¼" x 1¼" Turned*	\$285	\$315	\$345	\$375	\$405

*Choice of Colonial, Traditional, or European design spindles.

Floor or Face Mounted Railings for Stair Well or Balcony

Floor mounted railings include top handrail, spindles spaced at less than 4", and 1½" wide x 1" high bottom rail. Face mounted railings include top handrail, longer spindles spaced at less than 4" apart with pre-drilled mounting holes. *Posts are additional.*

Design	Spindle Type	Handrail	Spindles	Cost Per Linear Foot
Design H	Horizontal (2½" x 1")	Design H	1" x 1" Square	\$34
			1¼" x 1¼" Square	\$40
Design V	Vertical (1½" x 2¼")	Design H	1¼" x 1¼" Turned*	\$76
			Design V	1¼" x 1¼" Square
Design A	Rounded Top	Design V	1¼" x 1¼" Turned*	\$93
			Design A	1¼" x 1¼" Square
Design B	Flat Top	Design A	1¼" x 1¼" Turned*	\$102
			Design B	1¼" x 1¼" Square
		Design B	1¼" x 1¼" Turned*	\$99

*Choice of Colonial, Traditional, or European design spindles.

Posts for Floor Mounted Railings for use as corner, line, or end posts.

Standard Design Post & Finial with 5" Diameter Base Trim Plate	(Each) \$130
Colonial, Traditional, or European Turned Design Post & Finial* with 5" Diameter Base Trim Plate	(Each) \$185

*Choice of Colonial, Traditional, European, or Ball Top design finial.

Brass Wall Clip for use in securing end of a railing to wall. (Each) \$10

Special Shaped Oak Landing, Custom Layout, and Multi-Story Units Please Call for More Information and Quote

Oak Straight Stair Kit Pricing

Prices shown are for orders picked up at our Main Plant in Broomall, PA, sales tax will be added. Orders shipped from PA will have a shipping & handling charge plus sales tax if applicable. See page 10 for more information. **Please Note:** Your Kit will be custom cut to fit your floor-to-floor height. It is therefore extremely important that when you order we get the exact specifications for your installation.

Standard Floor-to-Floor Heights*

12 Risers (7'0" to 8'3")	13 Risers (7'7" to 8'11¼")	14 Risers (8'2" to 9'7½")
\$2400	\$2585	\$2770

Please Note: The Oak Straight Stair Kit can be ordered with your choice of a 36" overall finished width (31¼" clear tread width) or a 40½" overall finished width (36" clear tread width).

*The overlap fit in floor-to-floor heights for our three Kit sizes shown above is a function of the various combinations of riser height and tread depth that are possible. Each stair is custom cut to a riser height of 7" to 8¼" and a tread depth ranging from 9¼" to 10½". Please check your local code requirements then call us with your finished floor-to-floor height to determine the best combination of riser height and tread depth for your particular situation.

Oak Straight Stair Kit Accessory Pricing

Handrail Kits includes 1¼" wide x 2¼" high handrail and one 1¼" x 1¼" square spindle per riser.

Spindle Type	12 Risers	13 Risers	14 Risers
Standard Design Spindle	\$420	\$460	\$500
Colonial, Traditional, or European Design Turned Spindles	\$600	\$655	\$710

Please Note: Two handrail kits are required if the stair will be open on both sides.

Single In-Between Spindles are recommended for homes with small children, pets, or to meet code requirements.

Spindle Type	12 Risers	13 Risers	14 Risers
Standard Design In-Between Spindles	\$240	\$260	\$280
Colonial, Traditional, or European Design Turned In-Between Spindles	\$420	\$455	\$490

Oak Spiral Stair Kit Pickup and Shipping Information

Pickup Information

Pickup at our Main Plant & Showroom in Broomall, PA

All prices as listed, plus Pennsylvania sales tax.

Pickup Hours	Mon. - Fri.	8:00 a.m. to 11:30 a.m.
		12:30 p.m. to 4:30 p.m.
	Saturday	8:00 a.m. to 11:30 a.m.

Pickup Payments

Payment for pickup orders may be made by Certified Check, Bank Check, VISA, MasterCard, AMEX, Discover, or Cash. *Sorry, personal and/or business checks cannot be accepted for pickup orders.*

Shipping Information

Shipment from Broomall, PA

All Stair Kits are shipped via common carrier trucking. Some accessories can be shipped by UPS. Your order will be shipped from our Main Plant.

Prices as listed, plus a shipping & handling charge (based on the total weight, distance, single shipment, notifying call, residential or commercial delivery, fuel surcharges, and other factors) and any applicable sales tax.

Shipping Acknowledgment

You will be sent an acknowledgment of your order, with all shipping information, shortly after we confirm or receive payment. The delivering trucking company will call you once the stair has arrived at their terminal so that they may arrange a time of delivery with you. *If you do not receive our acknowledgment within two weeks of placing your order and payment, please call The Iron Shop's location where you placed your order.*

Residential Tailgate Delivery

All of The Iron Shop's stairs are shipped by common carrier for residential tailgate delivery. This method of shipment requires the trucker to deliver the stair to the end of their truck at your location. The trucker is not required to unload the stair or bring it into your home—this is the customer's responsibility. In most cases the driver will help unload the stair but you need to be prepared for the delivery, which will involve carrying the pieces off the truck and into your home. *If you would like the stair lowered off the truck for you, or delivered into your home, please see our Optional Shipping / Handling Services section on this page for more information.*

Re-Delivery Charge

If no one is home the first time a pre-arranged attempt is made to deliver your order, and the trucker has to make a re-delivery, you may be asked to pay a re-delivery charge.

Storage Charges

If you do not make arrangements with the trucking company to get your order delivered within a week after receiving notice from them that the order is at their terminal, they may charge you for storage. You can easily avoid this by simply responding to their notice in a timely manner.

Customer Responsibilities at Time of Delivery

It is the responsibility of the customer or their agent to check the shipment before the truck driver leaves. *Any shortage or damage must be noted on the delivery receipt, countersigned and dated by the driver.* This is required for your claim to be honored. Concealed damage and missing items must be reported to the trucking company and The Iron Shop (*or just The Iron Shop if you have our optional insurance coverage described below*) within 48 hours of delivery. Claims cannot be honored after the 48 hour period.

Optional Shipping / Handling Services

Rush Handling

Call for manufacturing time and price.

Shipping Insurance

Under standard common carrier practice, if your shipment is damaged or lost in transit, you will be responsible for making a claim against the trucking company, collecting your loss and re-ordering the parts from us. This can be a time-consuming and involved process. Our optional, low-cost shipping insurance is designed to protect your interests and streamline the solving of any loss or damage problem. When your shipment arrives you must follow the requirements covered above in *Customer Responsibilities at Time of Delivery* and then notify The Iron Shop of any loss or damage within 48 hours. We will reship to you any damaged or lost parts, that are in stock, within 72 hours after receipt of written proof of loss (or as quickly as possible for parts not in stock). There will be no charge to you for reshipping and damaged parts will be picked up by the carrier at time of delivery of replacement parts.

If Your Total Order Is:	Your Insurance Cost Is:
Up to \$3000	\$50
\$3001 to \$3500	\$55
\$3501 to \$4000	\$60
\$4001 to \$4500	\$65

If your order exceeds \$4500, add \$5 for each additional \$500.

Liftgate Service (Not available in all areas.)

This optional, extra charge, shipping service will require the delivering truck to have a mechanical tailgate to lower your shipment to the ground. **Please Note:** *It is not the trucker's responsibility to carry the stair into your home or garage. If you are interested in an inside delivery please see the following option.*

Please Call for Pricing and Availability

Inside Delivery Service (Not available in all areas.)

By far the easiest method of receiving your stair from The Iron Shop is by adding the inside delivery service. This optional, extra charge, shipping service requires the delivering trucking company to carry the stair into your home or garage. **Please Note:** *Delivery into a multi-story location will add an additional charge.*

Please Call for Pricing and Availability

Showroom Hours

All Showroom Locations	Mon. - Fri.	8:00 a.m. to 5:00 p.m.
	Saturday	8:00 a.m. to 12:00 p.m.

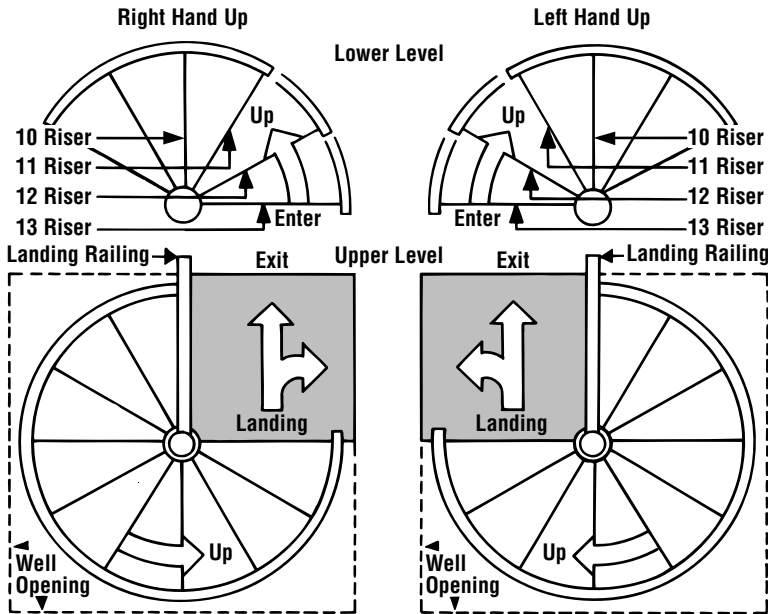
Victorian One® Cast Aluminum Spiral Stair Kits

Victorian One Cast Aluminum Spiral Stair Kits Contain:

Decorative cast base flange, center pole, appropriate number of 30° tread modules, landing, one rope design railing spindle per riser, fluted tread spacers, 1¼" round aluminum tube handrail coil, top center post & landing railing, stainless steel and plated hardware, and a complete personalized installation manual. All aluminum components receive a wash primer finish, except the handrail which needs to be primed after installation with the primer provided.

Layouts for Victorian One Cast Aluminum Spiral Stair Kits

All Victorian One Spiral Stair Kits utilize 30° treads.



Kits with less than 10 risers or more than 13 risers to span floor-to-floor heights other than shown below are available, as well as multi-story Kits. Please call the location nearest you for more information or a price quotation. We will be happy to help. See the front or back cover for location numbers.

Minimum Finished Well Opening Requirements

Carefully check your planned location to make certain you can provide at least the minimum well opening dimensions required for the stair you are ordering.

Stair Diameter	Minimum Finished Well Opening	Clear Walk Space Between Pole and Rail	Square Landing Size
4'0"	4'2" x 4'2"	1'7½"	2'1" x 2'1"
5'0"	5'3½" x 5'3½"	2'2"	2'7¾" x 2'7¾"
6'0"	6'2" x 6'2"	2'6¾"	3'1" x 3'1"

Please Note: Your Kit will be custom cut to fit your floor-to-floor height. It is therefore extremely important that you supply us with the exact finished floor to finished floor height. We also must know whether your stair will be installed "right hand up" (handrail is to your right as you enter stair from lower level) or "left hand up" (handrail is to your left as you enter stair from lower level) as the Kit is not reversible.

Victorian One Cast Aluminum Spiral Stair Kit Pricing

Prices shown are for orders picked up at our Main Plant in Broomall, PA, sales tax will be added. Orders shipped from PA will have a shipping & handling charge plus sales tax if applicable. See page 13 for more information. **Please Note:** Your Kit will be custom fabricated to fit your floor-to-floor height and rotation. It is therefore extremely important that when you order we get the exact specifications for your installation.

Kit Diameter	Minimum Finished Well Opening	Standard Floor-to-Floor Heights			
		10 Risers (7'4" to 7'11")	11 Risers (8'0" to 8'8½")	12 Risers (8'9" to 9'6")	13 Risers (9'6½" to 10'3½")
4'0"	4'2" x 4'2"	\$4500*	\$4925	\$5350	\$5775
5'0"	5'3½" x 5'3½"	\$4950	\$5425	\$5900	\$6375
6'0"	6'2" x 6'2"	\$7300	\$7825	\$8350	\$8875

*Special nationally advertised price, expires 12/31/08.

The 5'0" Victorian One Spiral Stair Kit with the addition of double in-between spindles and the 6'0" Victorian One Spiral Stair Kit with the addition of triple in-between spindles are compliant with the International Residential Code (IRC 2003 & 2006) requirements. These Stairs are designed to meet most national building codes. Please check with your local code administrator for your specific requirements.

California Residents: L.A. City Fabricator License #1150, L.A. City Standard Plan #139.

Victorian One Cast Aluminum Spiral Stair Kit Accessory Pricing

In-Between Spindles

Recommended for homes with small children, pets, or to meet code requirements.

	10 Risers	11 Risers	12 Risers	13 Risers
Single In-Between Spindles (4'0" & 5'0" Kits)	\$495	\$550	\$605	\$660
Double In-Between Spindles (5'0" Kits only)**	\$990	\$1100	\$1210	\$1320
Triple In-Between Spindles (6'0" Kits only)**	\$1485	\$1650	\$1815	\$1980

**5'0" Victorian One Spiral Stair Kits with double in-between spindles meet the dimensional requirements of the International Residential Code (IRC 2003 & 2006).

**6'0" Victorian One Spiral Stair Kits with triple in-between spindles meet the dimensional requirements of the International Residential Code (IRC 2003 & 2006).

Crowned Princess Design Spindles	(Each) \$250
Custom Riser Plates	(Each) \$50

Scroll Design Tread Ends	10 Risers	11 Risers	12 Risers	13 Risers
4'0", 5'0", & 6'0" Diameter Kits	\$500	\$550	\$600	\$650

1¼" Round Brass Tube Handrail with Polished Brass Scroll Handrail Ends

Handrail supplied coiled in a mill finish that requires polishing.

4'0" & 5'0" Diameter Kits	\$700
6'0" Diameter Kits	\$825

1½" Round Preformed Polished Brass Tube Handrail with Brass Scroll Handrail Ends

Supplied in two pieces with internal connecting sleeve.

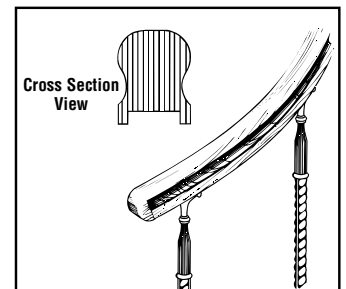
4'0" & 5'0" Diameter Kits	\$1500
6'0" Diameter Kits	\$1650

Solid Oak Handrail

Custom formed from layers of oak to match your stair's diameter, height, and rotation. Rail is supplied in two or three precurved sections, depending on overall length, with special hidden connectors.

Handrail supplied in a mill finish. (See Illustration at Right)

4'0" Diameter Kits	\$1500
5'0" Diameter Kits	\$1650
6'0" Diameter Kits	\$1800



Scroll Ends for Solid Oak Handrail

Set of two decorative solid oak scroll ends for the top and bottom of handrail. \$180

Victorian One Railing for Well Opening or Balcony

Includes round aluminum tube top and bottom rails, cast aluminum spindles spaced at less than 4", and rail end brackets. Posts are additional.

	Railing Length				
	2'0"	3'0"	4'0"	5'0"	6'0"
36" High All Aluminum	\$240	\$360	\$480	\$600	\$720
36" High Aluminum with Polished Brass Top	\$300	\$450	\$600	\$750	\$900
42" High Double Top All Aluminum	\$350	\$525	\$700	\$875	\$1050
42" High Double Top Aluminum with Polished Brass Top	\$410	\$615	\$820	\$1025	\$1230

Posts for Victorian One Railing for use as corner, line, or end posts. Includes post, base flange, and finial. (Each) \$260

Balcony Landing Railing

Includes post, base flange for landing, finial, top & bottom rails, spindles, end brackets, and handrail gooseneck (in place of top scroll end).

	4'0" Diameter Kits	5'0" Diameter Kits	6'0" Diameter Kits
All Aluminum	\$500	\$560	\$620
Aluminum with Polished Brass Top	\$560	\$635	\$710
All Aluminum Landing Gate	\$800	\$900	\$950

Powder Coated Finish

Factory sandblasted and finished in your choice of color, includes powder coated finish on the included 1¼" aluminum tube handrail. . . . \$1650

"Antique" Baked Finish

Factory finished in your choice of Verdigris (bluish-green) on a black base coat or Gold Leaf Bronze on a brown base coat. Does not include painting of handrail which needs to be painted after installation with the matching paint provided.

Verdigris on Black Base Coat	\$1950
Gold Leaf Bronze on Brown Base Coat	\$1950

Victorian One Cast Aluminum Spiral Stair Kit Pickup and Shipping Information

Pickup Information

Pickup at our Main Plant & Showroom in Broomall, PA

All prices as listed, plus Pennsylvania sales tax.

Pickup Hours	Mon. - Fri.	8:00 a.m. to 11:30 a.m.
		12:30 p.m. to 4:30 p.m.
	Saturday	8:00 a.m. to 11:30 a.m.

Pickup Payments

Payment for pickup orders may be made by Certified Check, Bank Check, VISA, MasterCard, AMEX, Discover, or Cash. *Sorry, personal and/or business checks cannot be accepted for pickup orders.*

Shipping Information

Shipment from Broomall, PA

All Stair Kits are shipped via common carrier trucking. Some accessories can be shipped by UPS. Your order will be shipped from our Main Plant.

Prices as listed, plus a shipping & handling charge (based on the total weight, distance, single shipment, notifying call, residential or commercial delivery, fuel surcharges, and other factors) and any applicable sales tax.

Shipping Acknowledgment

You will be sent an acknowledgment of your order, with all shipping information, shortly after we confirm or receive payment. The delivering trucking company will call you once the stair has arrived at their terminal so that they may arrange a time of delivery with you. *If you do not receive our acknowledgment within two weeks of placing your order and payment, please call The Iron Shop's location where you placed your order.*

Residential Tailgate Delivery

All of The Iron Shop's stairs are shipped by common carrier for residential tailgate delivery. This method of shipment requires the trucker to deliver the stair to the end of their truck at your location. The trucker is not required to unload the stair or bring it into your home—this is the customer's responsibility. In most cases the driver will help unload the stair but you need to be prepared for the delivery, which will involve carrying the pieces off the truck and into your home. *If you would like the stair lowered off the truck for you, or delivered into your home, please see our Optional Shipping Services section on this page for more information.*

Re-Delivery Charge

If no one is home the first time a pre-arranged attempt is made to deliver your order, and the trucker has to make a re-delivery, you may be asked to pay a re-delivery charge.

Storage Charges

If you do not make arrangements with the trucking company to get your order delivered within a week after receiving notice from them that the order is at their terminal, they may charge you for storage. You can easily avoid this by simply responding to their notice in a timely manner.

Customer Responsibilities at Time of Delivery

It is the responsibility of the customer or their agent to check the shipment before the truck driver leaves. *Any shortage or damage must be noted on the delivery receipt, countersigned and dated by the driver.* This is required for your claim to be honored. Concealed damage and missing items must be reported to the trucking company and The Iron Shop (*or just The Iron Shop if you have our optional insurance coverage described below*) within 48 hours of delivery. Claims cannot be honored after the 48 hour period.

Optional Shipping Services

Shipping Insurance

Under standard common carrier practice, if your shipment is damaged or lost in transit, you will be responsible for making a claim against the trucking company, collecting your loss and re-ordering the parts from us. This can be a time-consuming and involved process. Our optional, low-cost shipping insurance is designed to protect your interests and streamline the solving of any loss or damage problem. When your shipment arrives you must follow the requirements covered above in *Customer Responsibilities at Time of Delivery* and then notify The Iron Shop of any loss or damage within 48 hours. We will reship to you any damaged or lost parts, that are in stock, within 72 hours after receipt of written proof of loss (or as quickly as possible for parts not in stock). There will be no charge to you for reshipping and damaged parts will be picked up by the carrier at time of delivery of replacement parts.

If Your Total Order Is:	Your Insurance Cost Is:
Up to \$5500	\$80
\$5501 to \$6500	\$85
\$6501 to \$7500	\$90
\$7501 to \$8500	\$95

If your order exceeds \$8500, add \$5 for each additional \$500.

Liftgate Service (Not available in all areas.)

This optional, extra charge, shipping service will require the delivering truck to have a mechanical tailgate to lower your shipment to the ground. **Please Note:** *It is not the trucker's responsibility to carry the stair into your home or garage. If you are interested in an inside delivery please see the following option.*

Please Call for Pricing and Availability

Inside Delivery Service (Not available in all areas.)

By far the easiest method of receiving your stair from The Iron Shop is by adding the inside delivery service. This optional, extra charge, shipping service requires the delivering trucking company to carry the stair into your home or garage. **Please Note:** *Delivery into a multi-story location will add an additional charge.*

Please Call for Pricing and Availability

Showroom Hours

All Showroom Locations	Mon. - Fri.	8:00 a.m. to 5:00 p.m.
	Saturday	8:00 a.m. to 12:00 p.m.

Warranty Information / Exchange & Return Policy

Thank you for your interest in a stair from The Iron Shop®. Since 1931, we have stood behind our work always striving to make the highest quality products available. Please review the information printed below for our current warranty information and our exchange & return policy. It is also important to follow all recommended guidelines to insure many years of useful pleasure from our stairs. If you have any questions regarding this information, please do not hesitate to call us toll-free at 1-800-523-7427, we will be happy to help.

Warranty Information

Metal and Victorian One® Kits

The Iron Shop warrants all Metal and Victorian One Kits against defective material and workmanship for a period of one year from the date of delivery. We will replace any part that is returned to us during this period at no cost. This warranty is void if the Kit was not installed in accordance with our installation procedures, or if the stair has been abused or not maintained properly by the customer.

Oak Kits (Not for exterior use.)

The Iron Shop warrants all Oak Kits against defective material and workmanship for a period of one year from the date of delivery. We will replace any part that is returned to us during this period at no cost. This warranty is void if the Kit was not installed in accordance with our installation procedures, or if the stair has been abused or not maintained properly by the customer. You must check all stair dimensions and orientation before finishing the stair with stain or polyurethane, because The Iron Shop cannot correct or replace any parts once they have been coated with stain or polyurethane.

Please Note: *The Oak Spiral Stair Kit must be finished with three to four coats of a quality polyurethane within 30 days of receipt. Once finished the stair may be kept clean with furniture cleaner / polish. Do not store, or install, the stair in any area subject to dramatic changes in temperature and humidity. This can cause swelling, drying, cracking, etc. Do not allow the stair to come in contact with water.*

Exchange & Return Policy

Exchange Policy

Any unassembled Standard Stair Kit can be exchanged for a different diameter Kit within 90 days from date of receipt.

Custom orders cannot be exchanged. Custom orders include: multi-story units, Welded Stairs, Aluminum Kits, Oak Kits, Victorian One Kits, or well rails of any kind, and any other custom work.

All exchanges and returns are subject to a 15% restocking charge, which will be deducted from the credit towards a different Kit. Further reductions may be made, at The Iron Shop's sole discretion, on credit after returned parts are inspected. Parts returned that are not reusable cannot be credited.

Return Policy

Returns for refund must be made within 90 days from date of receipt and are subject to a 15% restocking fee based on the total Kit cost (not including shipping & destination charges, insurance, and sales tax). Any component that is damaged or unusable will not be accepted for return or refund. Custom orders cannot be returned. Custom orders include: multi-story units, Welded Stairs, Aluminum Kits, Oak Kits, Victorian One Kits, or well rails of any kind, and any other custom work.

- Refunds are made by calculating the total purchase price less (shipping, handling, destination and insurance charges) less 15% restocking fee.
- All returned items must be authorized by The Iron Shop and must be accompanied by an authorization number.
- Stair Kits will not be accepted for return once assembly has begun.
- THE IRON SHOP WILL NOT BE RESPONSIBLE FOR ANY REPAIR WITHOUT PRIOR WRITTEN APPROVAL.
- ALL FREIGHT CHARGES ON EXCHANGES AND RETURNS WILL BE PAID BY THE CUSTOMER.

Directions to all of The Iron Shop's Locations

Midwest Showroom / Warehouse:
Regent Business Center, 886 Cambridge Drive, Elk Grove Village, IL

Mid-Atlantic Main Plant & Showroom:
Lawrence Park Industrial Center, 400 Reed Road, Broomall, PA

Northeast Showroom / Warehouse:
Stamford Executive Park, 500 West Avenue, Stamford, CT

West Coast Showroom / Warehouse:
Ontario Pacific Business Center, 3949-D Guasti Road, Ontario, CA

Southwest Showroom / Warehouse:
8718 Westpark Drive, Houston, TX

South Showroom / Warehouse:
Sarasota Business Center, 752 Commerce Dr., Ste. 1, Venice, FL

THE IRON SHOP®

The Leading Manufacturer of Spiral Stair Kits®

Please call for more information or to place an order:
1-800-523-7427
or visit our Web Site at www.TheIronShop.com

Main Plant & Showroom:
Pennsylvania
P.O. Box 547
400 Reed Road
Broomall, PA 19008
Tel: (610) 544-7100
Fax: (610) 544-7297
1-800-523-7427

Showroom / Warehouse Locations:
California
P.O. Box 3008
3949-D Guasti Road
Ontario, CA 91761
Tel: (909) 605-1000
Fax: (909) 605-8899
1-800-382-IRON (4766)

Florida
Sarasota Business Center
752 Commerce Dr., Ste. 1
Venice, FL 34292
Tel: (941) 484-7577
Fax: (941) 484-7115
1-800-648-6990

Texas
8718 Westpark Drive
Houston, TX 77063
Tel: (713) 789-0648
Fax: (713) 789-0720
1-800-438-IRON (4766)

Illinois
Regent O'Hare Business Ctr.
886 Cambridge Drive
Elk Grove Village, IL 60007
Tel: (847) 952-9010
Fax: (847) 952-0496
1-800-453-IRON (4766)

Connecticut
Stamford Executive Park
500 West Avenue
Stamford, CT 06902
Tel: (203) 325-8466
Fax: (203) 967-4677
1-800-523-IRON (4766)

www.TheIronShop.com • e-mail: info@TheIronShop.com

All illustrations and specifications are based upon the latest product information available at the time of printing. The Iron Shop reserves the right to make changes at anytime without notice, in prices, specifications, materials, and models. The Iron Shop® and Victorian One® are registered trademarks of M. Cohen & Sons, Inc. d.b.a. The Iron Shop. Printed in the U.S.A. ©2000-2007 The Iron Shop