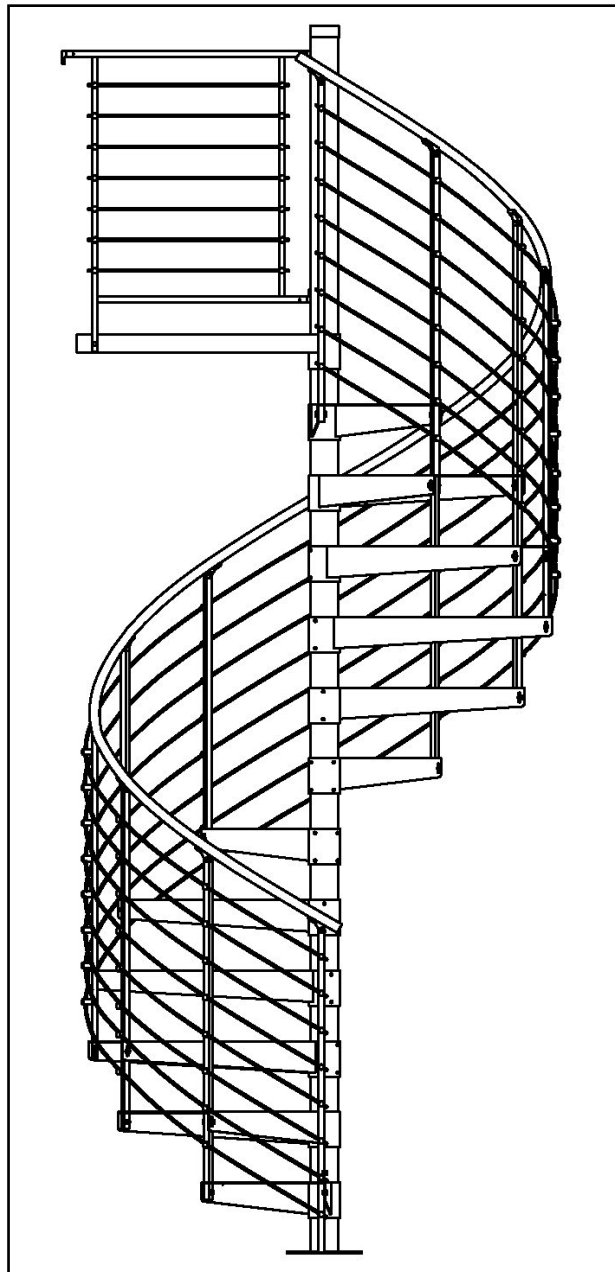


MULTI-LINE HANDRAIL KIT INSTRUCTION BOOKLET

Effective January 1, 2014



Main Plant & Showroom

Pennsylvania
P.O. Box 547
400 Reed Road
Broomall, PA 19008
Tel: (610) 544-7100
Fax: (610) 544-7297
1-800-523-7427

Other Showroom/Warehouse Locations

California
Ontario Pacific Bus. Ctr.
P.O. Box 3008
3949 Guasti Rd. Unit D
Ontario, CA 91761
Tel: (909) 605-1000
Fax: (909) 605-8899
1-800-382-IRON (4766)

Florida
Sarasota Business Center
752 Commerce Dr., Ste. 1
Venice, FL 34292
Tel: (941) 484-7577
Fax: (941) 484-7115
1-800-648-6990

Regional Sales Office

Texas
Tel: (713) 789-0648
Fax: (713) 789-0720
1-800-438-IRON (4766)

The Stairway Shop Locations

Louisiana
5717 Salmen Street
New Orleans, LA 70123
Tel: (504) 734-1315
Fax: (504) 733-0379

Ohio
262 Business Center Dr.
Blacklick, OH 43004
Tel: (614) 575-9640
Fax: (614) 575-9644

THE IRON SHOP®

The Leading Manufacturer of Spiral Stair Kits®

TABLE OF CONTENTS

MULTI-LINE HANDRAIL KIT:

Warranty, Safety, and Finishing Guidelines	1
Multi-Line Handrail Kit Assembly Instructions.....	2
Step #1: Separating the Fittings	2
Step #2: Attaching the Fittings to the Spindles.....	2
Step #3: Re-attaching the Fittings	3
Step #4: Installing the Stainless Steel Rails	4
Exchange, Return, and Cancellation Policy	5

THE IRON SHOP®

The Leading Manufacturer of Spiral Stair Kits®

WARRANTY, SAFETY, AND FINISHING GUIDELINES

WARRANTY

The Iron Shop provides a one year warranty on materials and workmanship, beginning on the day you take delivery of the Stair Kit. We will replace any part returned to us during that period at no cost. This guarantee is invalid if the installation was not completed in accordance with our assembly procedures or if the Stair Kit is abused or not maintained by the customer.

- We recommend using wood tread coverings on all of our Metal Stair Kits. If you wish to purchase, and have not done so already, oak and flakeboard tread coverings are available from The Iron Shop. If you would rather supply your own wood, a paper template pattern may be purchased. Please note, that all of The Iron Shop's Stair Kits have holes to accept wood tread coverings, except when the treads are ordered in a diamond plate finish or ordered with no holes at an additional charge.
- If you have installed your stair kit without any tread coverings, you can coat the tread surface with a mixture of your paint and a little sand. This should be done after the entire stair kit has been repainted. This will provide the stair with an inexpensive non-slip tread surface.
- If your stair was supplied with a primer finish it must be painted with an oil-based enamel, not latex, upon completion of installation. If the stair will be used outdoors, an oil-based enamel with a rust inhibitive additive should be used.
- Stairs that are hot-dipped galvanized and stairs constructed of aluminum or stainless steel, are highly recommended for salt water conditions. If ordered with a primer finish only, Aluminum Kits must be painted.
- It is the customer's responsibility to advise us of any and all building codes or special requirements for your Stair Kit from The Iron Shop. As manufacturers of quality stairs since 1931, we can design a stair to meet almost any requirements.

If you have any questions, please do not hesitate to call us. See the front cover for our toll-free phone numbers.



The Leading Manufacturer of Spiral Stair Kits®

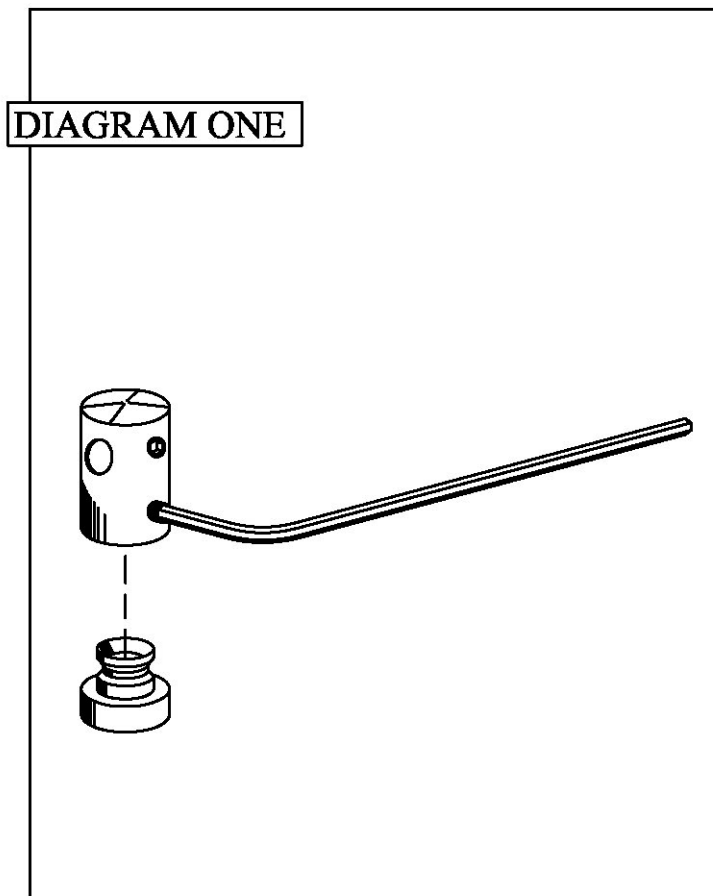
MULTI-LINE HANDRAIL KIT ASSEMBLY INSTRUCTIONS

STEP #1: SEPARATING THE FITTINGS

To install the stainless steel fittings, they first must be separated.

With the supplied allen key, loosen the set screw closest to the recessed end of the fitting. Separate the base of the fitting, making sure the set screw remains in the barrel.

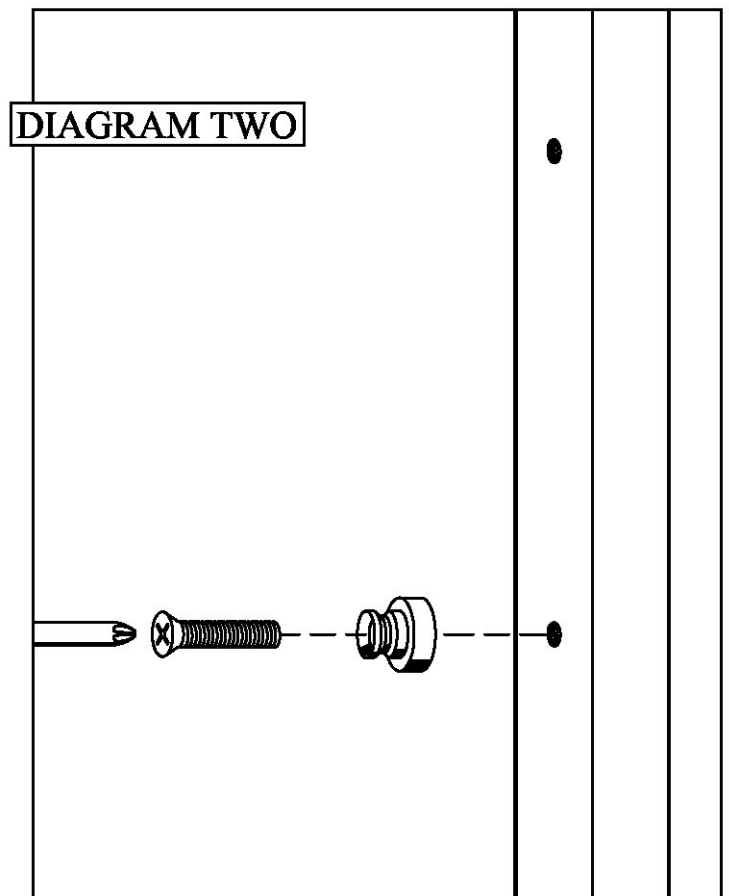
SEE DIAGRAM ONE



STEP #2: ATTACHING THE FITTING TO THE SPINDLES

Attach the base to the spindles using the #12 x 24 stainless steel flat head screws provided.

SEE DIAGRAM TWO



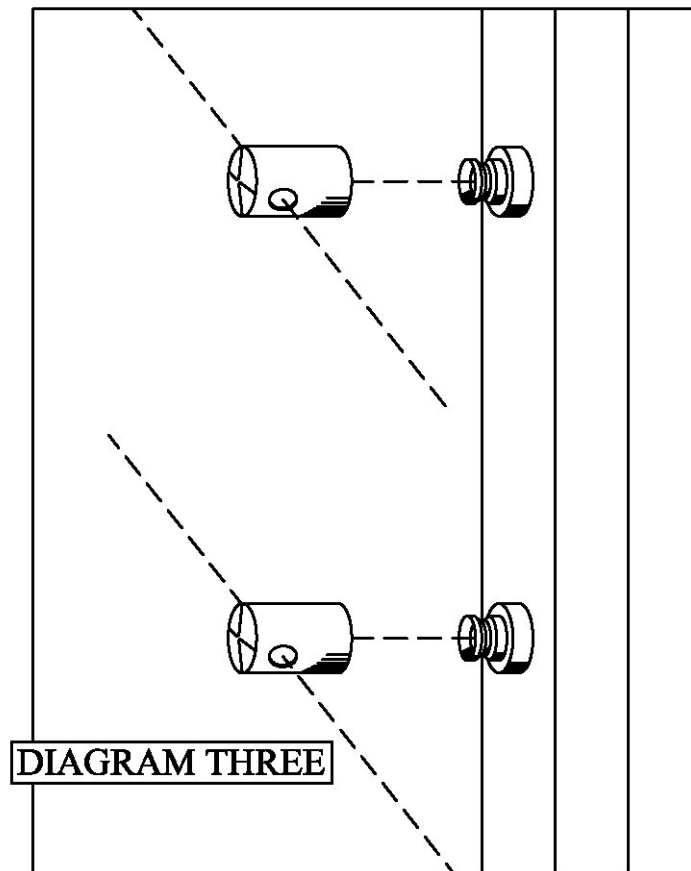
THE IRON SHOP®

The Leading Manufacturer of Spiral Stair Kits®

MULTI-LINE HANDRAIL KIT ASSEMBLY INSTRUCTIONS

STEP #3: **RE-ATTACHING THE FITTINGS**

To re-attach the barrel to the base, slide the barrel onto the base and tighten set screw, making sure the set screws face down and the thru-hole is parallel to the top handrail. **SEE DIAGRAM THREE**



THE IRON SHOP®

The Leading Manufacturer of Spiral Stair Kits®

MULTI-LINE HANDRAIL KIT ASSEMBLY INSTRUCTIONS

STEP #4: INSTALLING THE STAINLESS STEEL RAILS

Starting at the bottom of the stair, push the stainless steel rail through the lowest fitting. Carefully pull the rail through the remaining fittings. It is helpful to have a helper stand at the bottom of the stair to help guide the rail. Once the rail has been passed through all of the fittings, making sure that the rail protrudes $\frac{1}{2}$ " past the top fitting, mark the bottom of the rail $\frac{1}{2}$ " below the bottom fitting and carefully pull the rail back down through the lowest fitting approximately 6" so that you can easily cut off the excess rail without scratching the bottom spindle. Once you have cut the excess rail off the bottom, carefully file the bottom of the rail where you cut it and pull the rail back through the top fitting so that there is an equal overhang of $\frac{1}{2}$ " past the fittings at both the top and bottom of the rail. Install the protective plastic covers at the top and bottom of the rail. Completely tighten the set screw in each fitting that holds the rail in place. Repeat this process to install the remaining rails working from the bottom to the top of the spindles.

SEE DIAGRAM FOUR

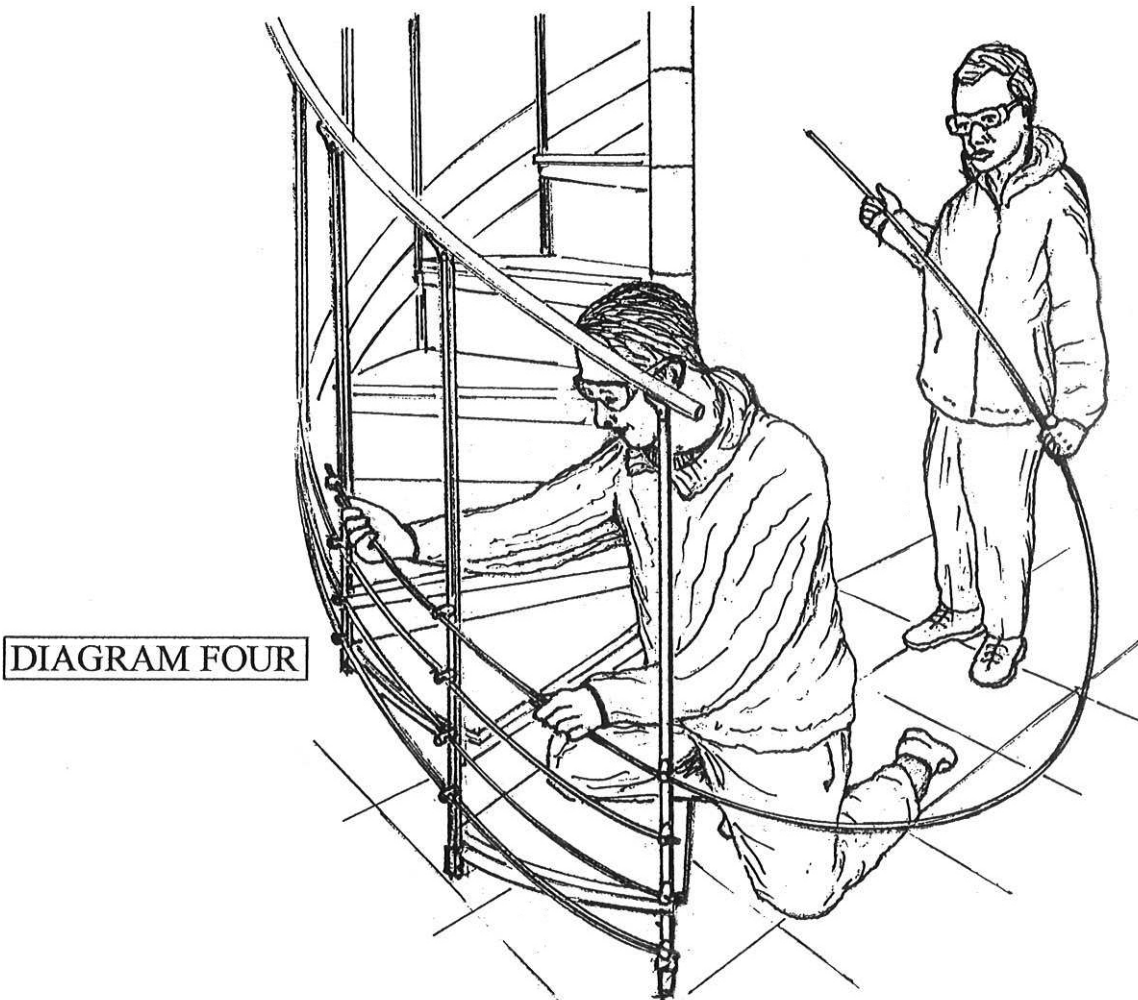


DIAGRAM FOUR

THE IRON SHOP®

The Leading Manufacturer of Spiral Stair Kits®

EXCHANGE, RETURN, AND CANCELLATION POLICY

Exchange Policy

Standard Stair Kits (“Kit”) on which assembly has not begun may be exchanged for credit* towards a different diameter Kit provided that The Iron Shop receives the customer’s written exchange request no later than 90 days from the date of customer’s receipt of the original Kit.

Custom orders may not be exchanged. Custom orders include, without limitation, any non-standard Stair Kit, multi-story units, Welded Stairs, Aluminum Kits, Oak Kits, Victorian One Kits, well rails of any kind, and any other custom work.

*All exchanges are subject to a 15% restocking charge, which will be deducted from the credit allowed towards a different Kit. Further reductions may be made, at The Iron Shop’s sole discretion, on credit after returned Kits are inspected.

Return Policy

Standard Stair Kits (“Kit”) on which assembly has not begun may be returned for refund* provided that The Iron Shop receives the customer’s written return request no later than 90 days from the date of customer’s receipt of the Kit. All returns must be authorized and accompanied by an authorization number.

Custom Orders may not be returned. Custom orders include, without limitation, any non-standard Stair Kit, multi-story units, Welded Stairs, Aluminum Kits, Oak Kits, Victorian One Kits, well rails of any kind, and any other custom work.

*All returns are subject to a 15% restocking charge, which will be deducted from the credit allowed towards a different Kit. Further reductions may be made, at The Iron Shop’s sole discretion, on credit after returned Kits are inspected. Refunds will be calculated according to the following formula: Total Purchase Price (including tax) less shipping, handling, destination, insurance charges less 15% restocking fee.

Cancellation Policy

Custom Orders may not be cancelled for a refund after 10 business days from the date of order. Custom orders include, without limitation, any non-standard Stair Kit, multi-story units, Welded Stairs, Aluminum Kits, Oak Kits, Victorian One Kits, well rails of any kind, and any other custom work.

- THE IRON SHOP WILL NOT BE RESPONSIBLE FOR ANY REPAIR WITHOUT PRIOR WRITTEN APPROVAL.
- ALL FREIGHT CHARGES ON EXCHANGES AND RETURNS WILL BE PAID BY THE CUSTOMER.



The Leading Manufacturer of Spiral Stair Kits®

MULTI-LINE HANDRAIL KIT INSTRUCTION BOOKLET



Since 1931, The Iron Shop has enjoyed a reputation for outstanding design and fabrication of custom built spiral, curved, and floating stairs. With the introduction of our Spiral Stair Kits in 1972, The Iron Shop's quality and value became available for the first time on a national basis. Today, we utilize computer-aided technology throughout our production process to guarantee that each stair meets exacting standards—successfully mixing state-of-the-art manufacturing with old-world quality.

Offering the largest selection, highest quality, and lowest prices in spiral stairs—we make sure that you get the right spiral to meet your needs. This has made The Iron Shop the leading manufacturer of spiral stair kits, with over one hundred thousand satisfied customers worldwide. And our stairs are still made with pride in the U.S.A.

Main Plant & Showroom

Pennsylvania
P.O. Box 547
400 Reed Road
Broomall, PA 19008
Tel: (610) 544-7100
Fax: (610) 544-7297
1-800-523-7427

Other Showroom/Warehouse Locations

California
Ontario Pacific Bus. Ctr.
P.O. Box 3008
3949 Guasti Rd. Unit D
Ontario, CA 91761
Tel: (909) 605-1000
Fax: (909) 605-8899
1-800-382-IRON (4766)

Florida
Sarasota Business Center
752 Commerce Dr., Ste. 1
Venice, FL 34292
Tel: (941) 484-7577
Fax: (941) 484-7115
1-800-648-6990

Regional Sales Office

Texas
Tel: (713) 789-0648
Fax: (713) 789-0720
1-800-438-IRON (4766)

The Stairway Shop Locations

Louisiana
5717 Salmen Street
New Orleans, LA 70123
Tel: (504) 734-1315
Fax: (504) 733-0379

Ohio
262 Business Center Dr.
Blacklick, OH 43004
Tel: (614) 575-9640
Fax: (614) 575-9644

www.TheIronShop.com • e-mail: info@TheIronShop.com

All illustrations and specifications are based upon the latest product information available at the time of printing. The Iron Shop reserves the right to make changes at anytime without notice, in specifications, materials, and models.



The Leading Manufacturer of Spiral Stair Kits®

The Iron Shop® is a registered trademark of M. Cohen & Sons, Inc. d.b.a. The Iron Shop

© 2014 The Iron Shop
Printed in the U.S.A